

Power Amplifier

PRODUCT DATASHEET

RFPA5.8S

Features:

- RF Frequency: 5.5 - 6 GHz
- Small signal gain: 23.7 dB
- Output P1dB: 30.9 dBm
- Saturated Output Power: 31.8 dBm
- DC drain bias voltage: 5 V
- DC Gate bias voltage: -0.5/-0.6 V
- DC supply current: 474 mA
- 0.1um GaAs pHEMT Technology
- Die Size: 1.2 mm * 1.02 mm

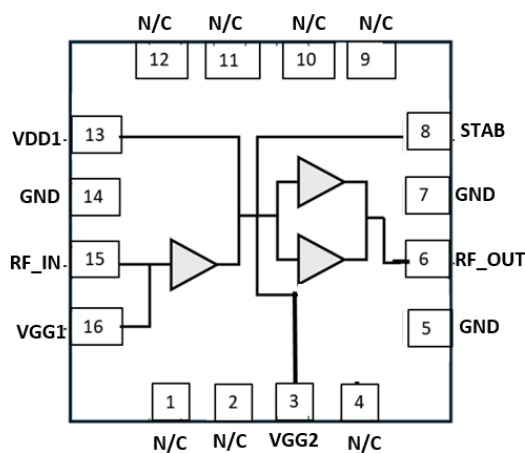
Applications:

- Bluetooth
- Radar Systems
- SATCOM
- IoT
- Wi-Fi

Deliverables:

- Sample Ready Die
- Product Datasheet

Functional Block Diagram:



Pin Configuration:

Pin No.	Pin Name	Description
5,7,14	GND	Ground
13	VDD-1	Drain Bias Voltage -1
16	VGG-1	Gate Bias Voltage -1
3	VGG-2	Gate Bias Voltage -2
15	RF-IN	RF Input
6	RF-OUT	RF Output
1,2,4,9,10,11,12	N/C	Not Connected
8	STAB	For Stability Connection

Description:

RFPA5.8S is Power Amplifier operate 5.5-6 GHz. The amplifier provides 23.7 dB of small signal gain, the input and output are matched to 50 ohms with off-chip matching network.

The device is specifically designed for use in 5.8 GHz frequency in Bluetooth, Radar Systems, WiFi, IoT and SATCOM Application.

The Technology used to design Power Amplifier is 0.1um GaAs pHEMT Process.

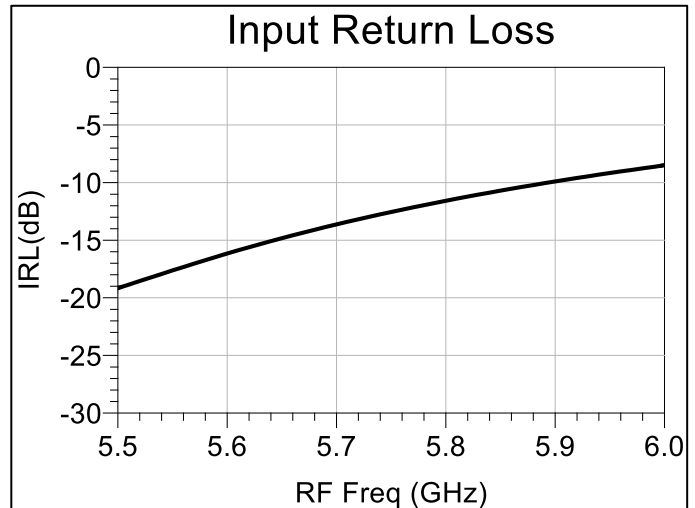
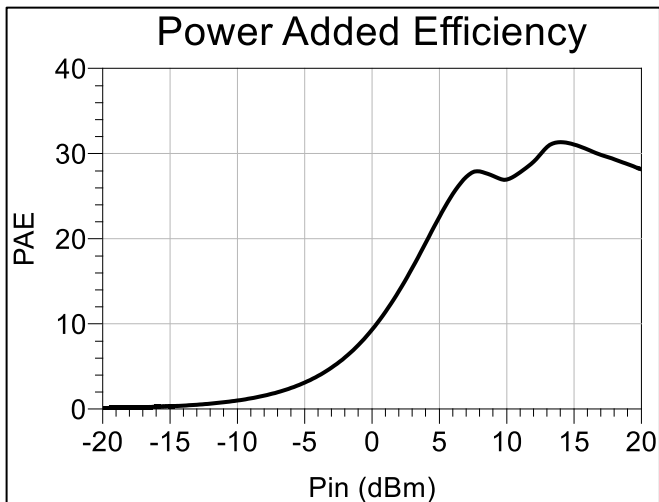
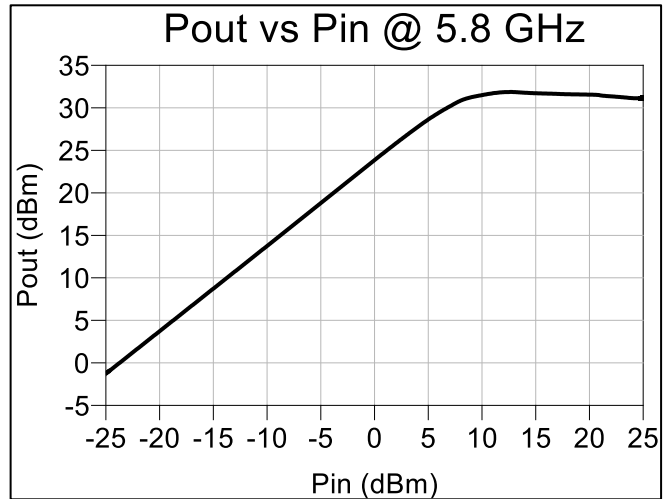
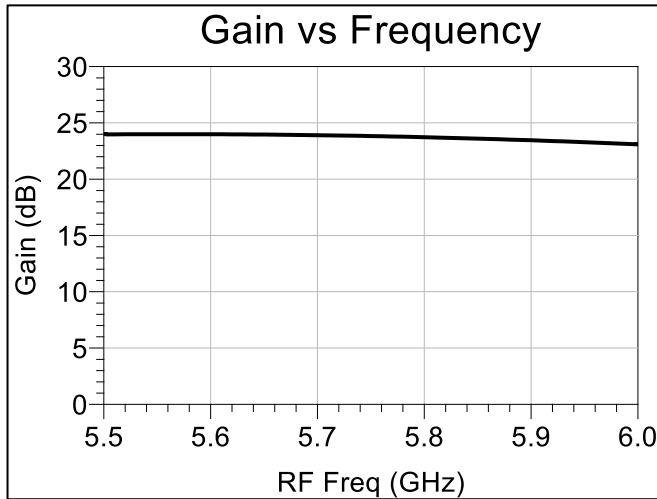
Signify RF confidential property not to be copied or disclosed without prior authorization.

Electrical Specification:

Freq= 5.5-6 GHz, VDD1 = 4V, VGG1=-0.5 V, VGG2 = -0.6 V, ID= 474 mA, Zo=50 Ω

Parameters	Test Condition	Units	Typ
Gain	5.5 GHz	dB	23.9
	5.8GHz		23.7
	6 GHz		23
Output P1 dB	5.5 GHz	dBm	-
	5.8GHz		30.9
	6 GHz		-
OIP3 Pin= 1 dBm Δf = 50MHz	5.5 GHz	dBm	-
	5.8GHz		41.8
	6 GHz		-
Input Return Loss	5.5 GHz	dB	19
	5.8GHz		11.5
	6 GHz		8.5
Output Return Loss	5.5 GHz	dB	9.6
	5.8GHz		15.6
	6 GHz		15.2
Operating Bias Conditions			
Drain Current (Id)	-	mA	474
Drain Voltage (VDD)	-	V	5
Gate Voltage (VGG)	-	V	-0.5/-0.6

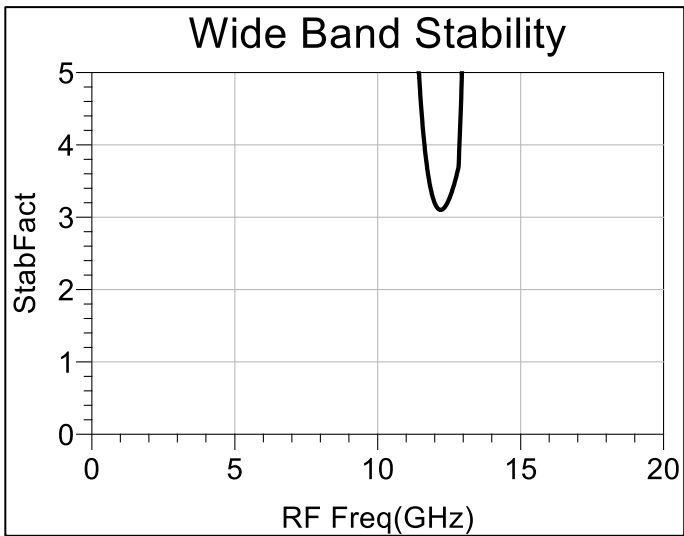
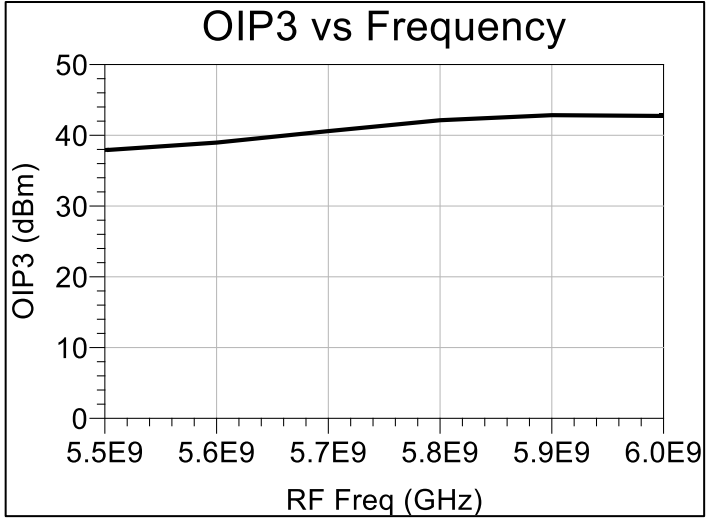
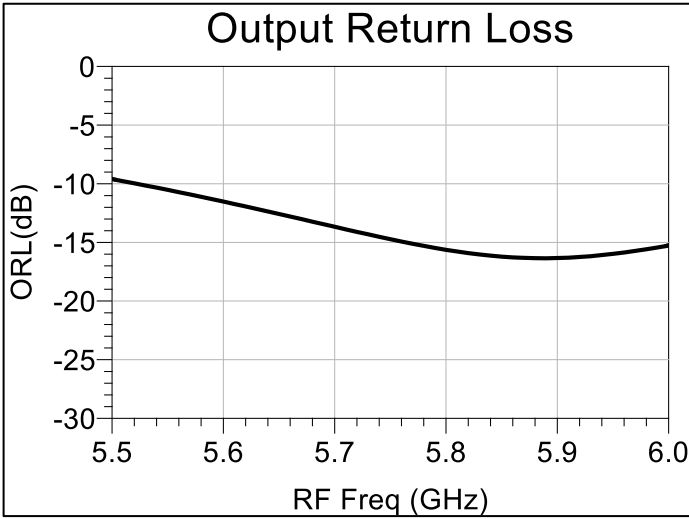
Typical Performance Curves:



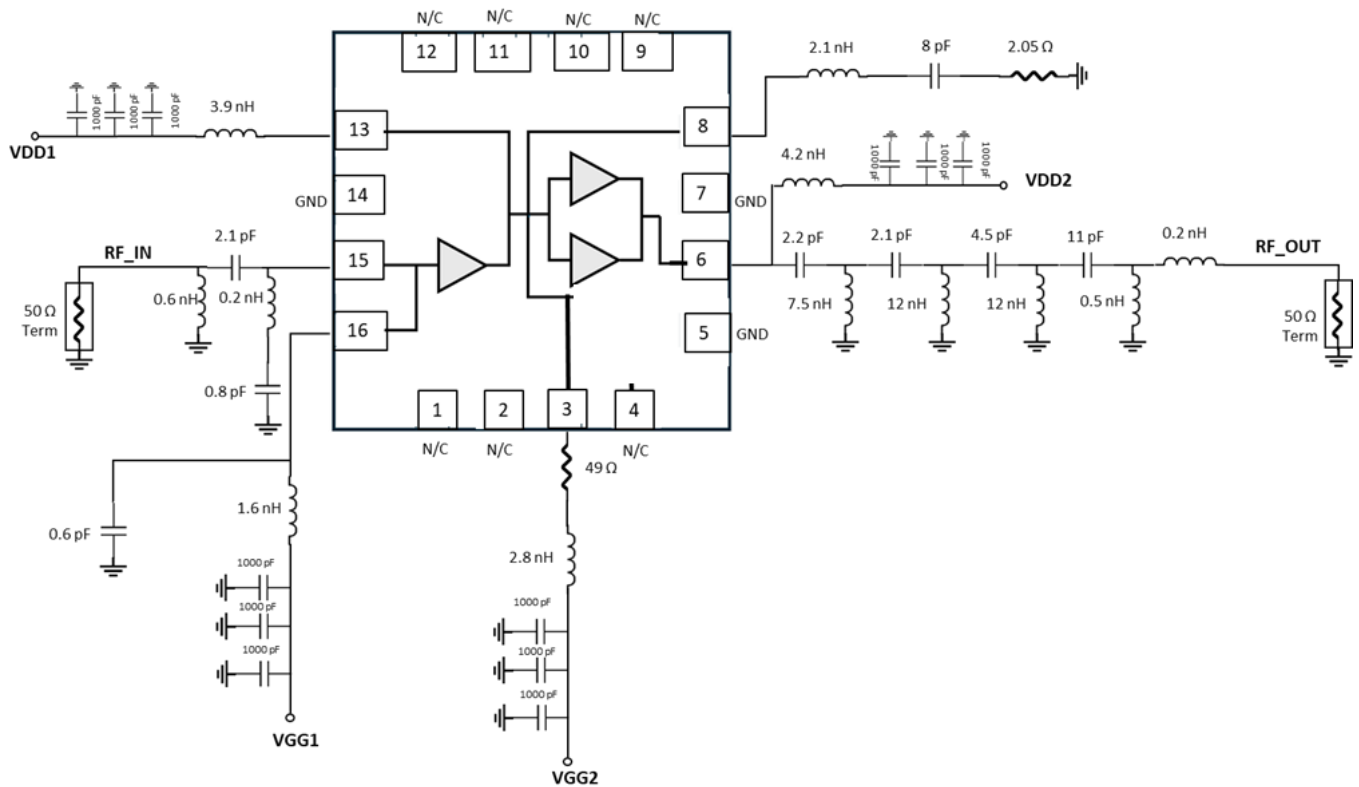
Power Amplifier

PRODUCT DATASHEET

RFPA5.8S



Application Diagram:



Disclaimer:

Information in this document is provided in connection with Signify RF products. These materials are provided by Signify RF as a service to its customers and may be used for informational purposes only. Except as provided in Signify RF Terms and Conditions of Sale for such products or in any separate agreement related to this document, Signify RF assumes no liability whatsoever. Signify RF assumes no responsibility for errors or omissions in these materials. Signify RF may make changes to specifications and product descriptions at any time, without notice. Signify RF makes no commitment to update the information and shall have no responsibility whatsoever for conflicts or incompatibilities arising from future changes to its specifications and product descriptions. No license, express or implied, by estoppel or otherwise, to any intellectual property rights is granted by this document.

Contact information:

For the latest specifications, additional product information:

Web: www.signifyrf.com

Email: sales@signifyrf.com

Tel: (+1) 840 356 8957, (+91) 90220 78131, (+91) 84858 41789